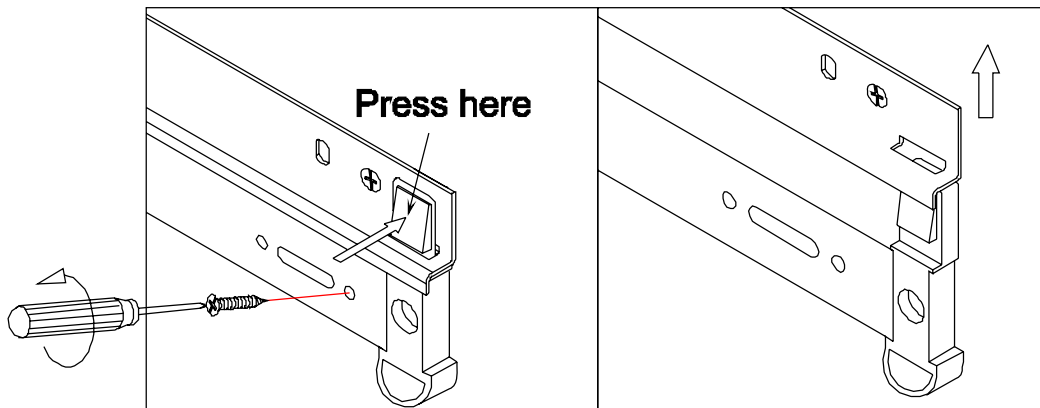
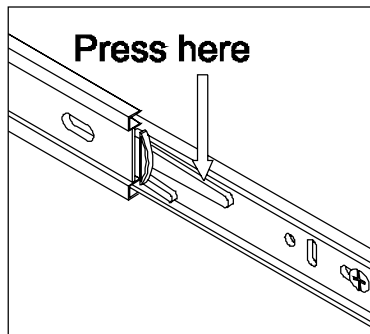


Instructions For Drawer Removal

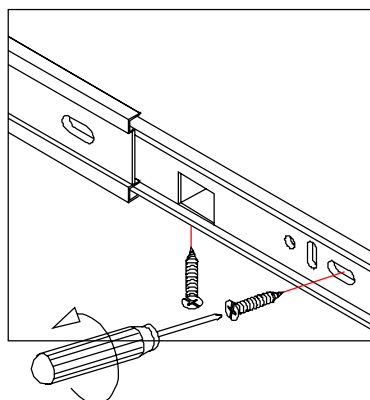
First, consult the below pictures to determine which drawer slide you have and then follow the appropriate instructions.



TO REMOVE DRAWER: Remove locking screw, Press the plastic slide releases on each side, lift up and pull drawer out.



TO REMOVE DRAWER: Press the plastic slide releases on each side in opposite directions, then pull out drawer.



TO REMOVE DRAWER: Remove the two center locking screws as well as the two bottom locking screws