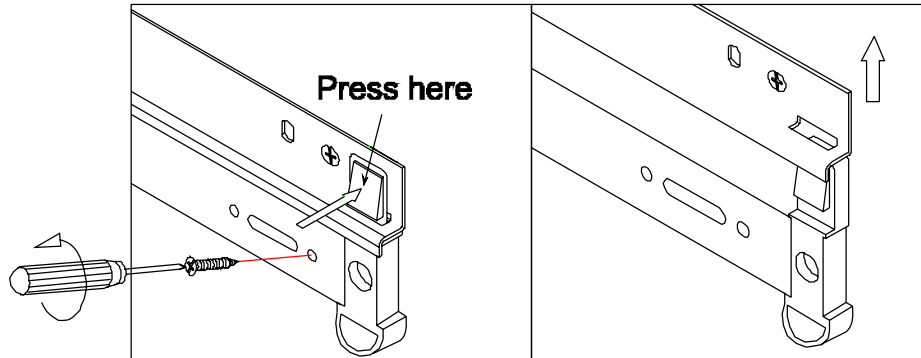
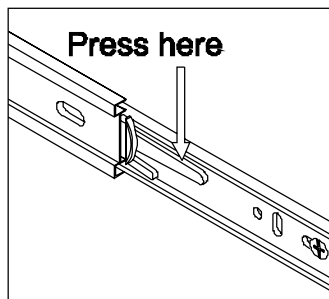


# Tribeca Loft Instructions For Drawer Removal

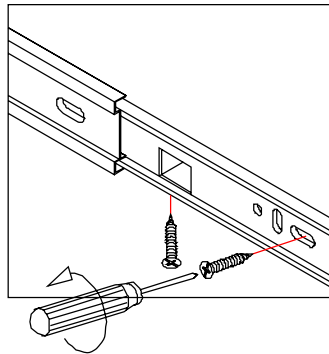
First, consult the below pictures to determine which drawer slide you have and then follow the appropriate instructions.



**TO REMOVE DRAWER:** Remove locking screw, Press the plastic slide releases on each side, lift up and pull drawer out.



**TO REMOVE DRAWER:** Press the plastic slide releases on each side in opposite directions, then pull out drawer.



**TO REMOVE DRAWER:** Remove the two center locking screws as well as the two bottom locking screws

**MARTIN FURNITURE**

**1-800-268-5669**